

Practical high security electric locking **from Abloy Security**

**DIN RANGE**

Multi-function electric locks



**ABLOY SECURITY**  
Stronger, naturally

**Less is more** More flexibility, more security – less lockcases



Our new range of multi-function ABLOY® electric locks makes choosing the correct lock for the job even easier. You no longer have to know which hand or voltage you will need for a current specification, or future installations, as this range caters for every eventuality in one lockcase.

A choice of motor or solenoid lock, for all types of metal or wooden door are available with a selection of accessories including Futura handles and ABLOY® PROTEC door cylinders.

#### Features

- Complex specifications are a thing of the past as these multi-function locks are non-handed, 12 or 24V, fail locked or unlocked - all functions can easily be set on site.

- EN standards are a major deciding factor when specifying locks, and are a must in order for buildings to meet the grade. This range of electric locks meet EN179 and EN1125\* for emergency and panic exit doors\*\* and EN1634-1 for fire resistance. Plus they have been fully tested to draft standards for burglary (prEN1627) and mechanical resistance (prEN12209-1).

- As with all electric locks they can form part of an access control system when used in conjunction with keypads, proximity readers or swipe card readers.

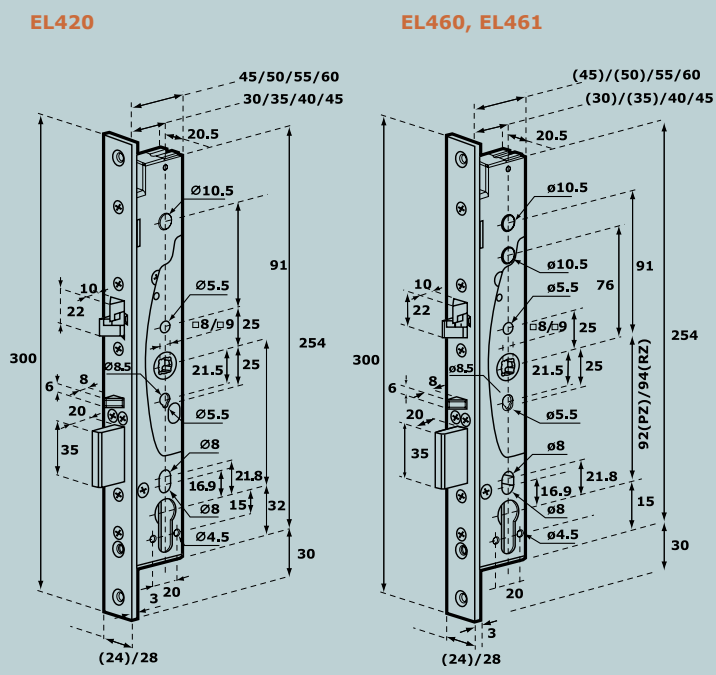
\*Excluding EL461, EL561

\*\*The correct matching exit hardware must be used, and will be available January 2005.

Technical Specification	
	<b>EL420</b>
<b>Operating Voltage</b>	
-10%/+15%	12VAC to 18VAC
±15%	12VDC to 24VDC
<b>Current 12VDC</b>	
Idle	80mA
Norm	450mA
Max	1300mA
<b>Current 24VDC</b>	
Idle	40mA
Norm	220mA
Max	600mA
<b>Temperature Range (°C)</b>	-20 to +60
<b>Adjustable Delay (secs)</b>	2-15
<b>Backset (mm)</b>	
Standard	30, 35
Special	40, 45
<b>Forend (mm)</b>	
Standard	24
Special	28
<b>Follower (mm)</b>	9
<b>Forend Finish</b>	
Stainless Steel	•
Accessories	
	<b>EL420</b>
<b>Cylinder double</b>	-
<b>Cylinder single</b>	CY303, CY307 CY313, CY317
<b>Strike (included)</b>	EA322
<b>Futura handles</b>	60-0719-SSS
<b>Cable (included)</b>	EA218
<b>Rebate set (optional)</b>	-
<b>Spindle convertor (8-9mm) Inc.</b>	807227

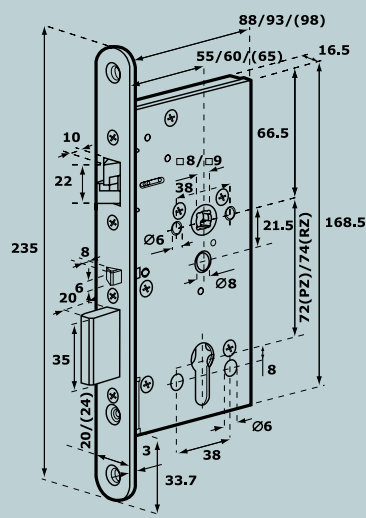
EL460/EL461	EL520	EL560/EL561
12VDC to 24VDC (Stabilized)	12VAC to 18VAC	12VDC to 24VDC (Stabilized)
-	12VDC to 24VDC	-
-	80mA	-
-	450mA	-
450mA	1300mA	450mA
-	40mA	-
-	220mA	-
250mA	600mA	250mA
-20 to +60	-20 to +60	-20 to +60
-	2-15	-
30, 35	65	65
40, 45	55, 60	55, 60
24	24	24
28	20	20
9	9	9
•	•	•

Lockcase dimensions



EL460	EL461	EL520	EL560	EL561
	CY304, CY308 CY314, CY318	-	-	CY304, CY308 CY314, CY318
CY303, CY307 CY313, CY317	-	CY303, CY307 CY313, CY317	CY303, CY307 CY313, CY317	-
EA322	EA322	EA322	EA322	EA322
60-0819-SSS	60-0819-SSS	60-0119-SSS	60-0419-SSS or 60-0319-SSS	60-0419-SSS or 60-0319-SSS
EA218	EA218	EA218	807671	807671
	-	Reb 21, 22 or 23	Reb 21, 22 or 23	Reb 21, 22 or 23
807227	807227	807227	807227	807227

EL520, EL560, EL561



The Range	
	<p><b>Motor Locks</b> For wooden or metal doors</p> <p><b>EL520</b> – with deadbolt and anti-friction bolt</p> <p>For narrow stile doors</p> <p><b>EL420</b> – with deadbolt and anti-friction bolt</p> <p><b>Solenoid Locks</b> For wooden or metal doors, fail locked/unlocked, 12/24VDC</p> <p><b>EL560</b> – inside handle operates at all times</p> <p><b>EL561</b> – both handles are electrically controlled</p> <p>For narrow stile doors, fail locked/unlocked, 12/24VDC</p> <p><b>EL460</b> – inside handle operates at all times</p> <p><b>EL461</b> – both handles are electrically controlled</p>



Abloy Security Limited 1/3 Hatters Lane Croxley Business Park Watford Hertfordshire WD18 8QY

 01923 255066 
  01923 230281 
  sales@abloysecurity.co.uk | www.abloysecurity.co.uk

Abloy Electric Locks installed and maintained by:  
 Axxess 28 Ltd  
 Tel 0845 680 0228  
 Fax 0845 680 0229  
 Email: sales@axxess28.com  
 www.axxess28.com

Abloy Security Limited markets high quality products and accessories for security applications. Our customer base provides solutions to a broad spectrum of public and private organisations throughout the UK and Ireland.

The ASSA ABLOY Group is the world's leading manufacturer and supplier of locking solutions, dedicated to satisfying end-user needs for security, safety and convenience.